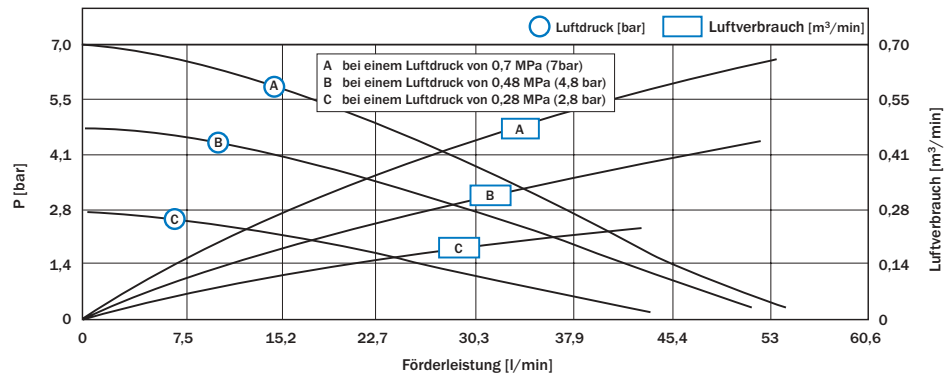


VERDERAIR VA 15

Type VA 15



Technische Daten

Technische Daten

Gewicht [kg]	Acetal	3.5
	Polypropylen	2.9
	Kynar	3.9
Saughöhe [mWs]	trocken	4.8
	produktberührt	7.6
Temperatur [°C]	Acetal	5 - 65*
	Polypropylene	5 - 65
	Kynar	5 - 65**
	* 82 °C mit Teflon Membrane	
	** 107 °C mit Teflon Membrane	
Feststoffgröße [mm]		2.5

Nicht produktberührte Werkstoffe

Mittelgehäuse	Polyester
---------------	-----------

Codierung

VA 15 . [nr.2] . [nr.3] . [nr.4] . [nr.5]

[nr.2] Membran Kammern

AC	= Acetal
PP	= Polypropylen
KY	= Kynar

[nr.3] Ventilsitze

AC	= Acetal
PP	= Polypropylen
KY	= Kynar
SS	= Edelstahl 316

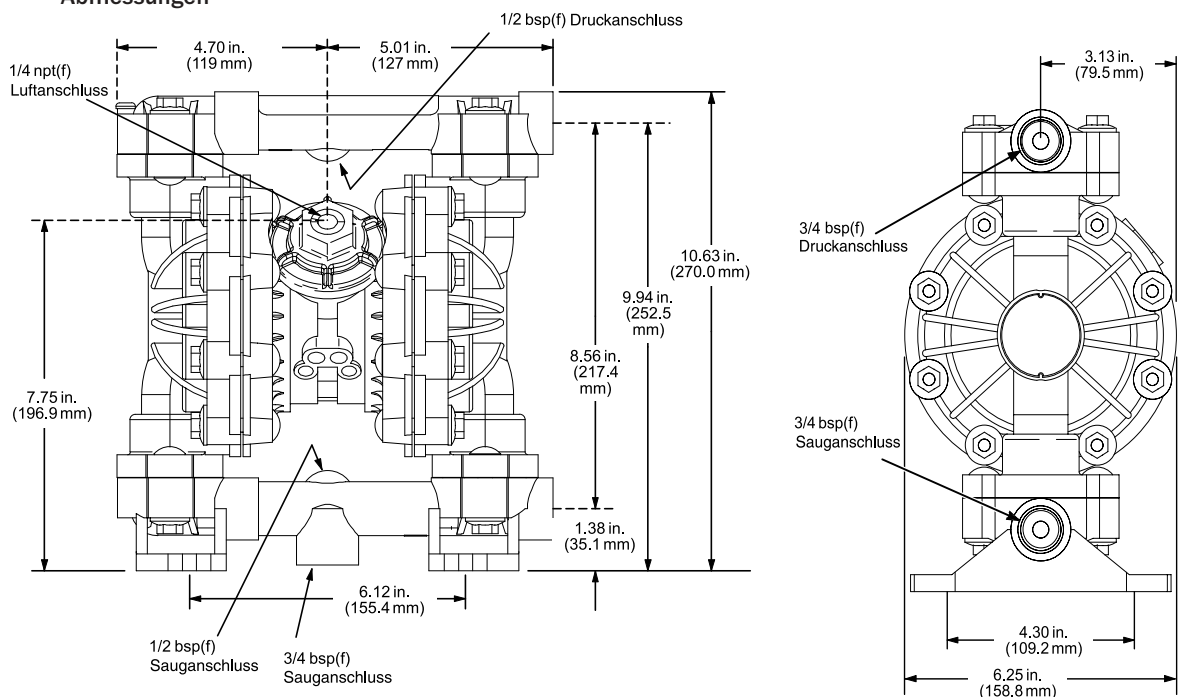
[nr.4] Ventile

TF	= Teflon
SP	= Santoprene
SS	= Edelstahl 316
HY	= Hytrel
BN	= Buna N
VT	= Viton

[nr.5] Membranen

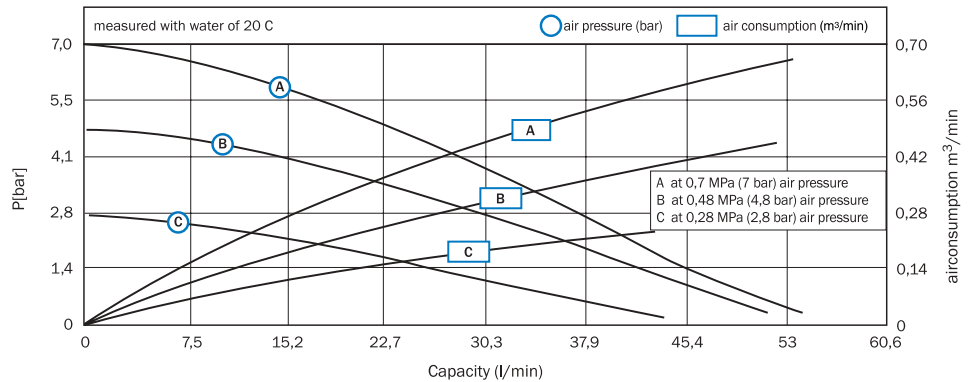
TF	= Teflon
SP	= Santoprene
BN	= Buna N
VT	= Viton
HY	= Hytrel

Abmessungen



VERDERAIR VA 15

Type VA 15



Technical details

Technical details		
Weight [kg]	Acetal	3.5
	PP	2.9
	Kynar	3.9
Suction lift [mwc]	Dry	4.8
	Wet	7.6
Temperature [°C]	Acetal	5-65*
	PP	5-65
	Kynar	5-65**
* 82 °C with Teflon diaphragms		
** 107 °C with Teflon diaphragms		
Max. particle size [mm]		2.5

Non wetted material	
Centre section	Polyester

Article codes	
VA 15 . [no.2] . [no.3] . [no.4] . [no.5]	
[no.2] material of casing	
	AC = Acetal
	PP = Polypropylene
	KY = Kynar

[no.3] material of seat	
	AC = Acetal
	PP = Polypropylene
	KY = Kynar
	SS = Stainless Steel
[no.4] material of valve	
	TF = Teflon
	SP = Santoprene
	SS = Stainless Steel
	HY = Hytrel
	BN = Buna N
	VT = Viton
[no.5] material of diaphragm	
	TF = Teflon
	SP = Santoprene
	BN = Buna N
	VT = Viton
	HY = Hytrel

Dimensions

