


# Diaphragm Pumps

Languages > 

## MBP air driven diaphragm pump



Diaphragm pump MBP  
Item no. 251220201521

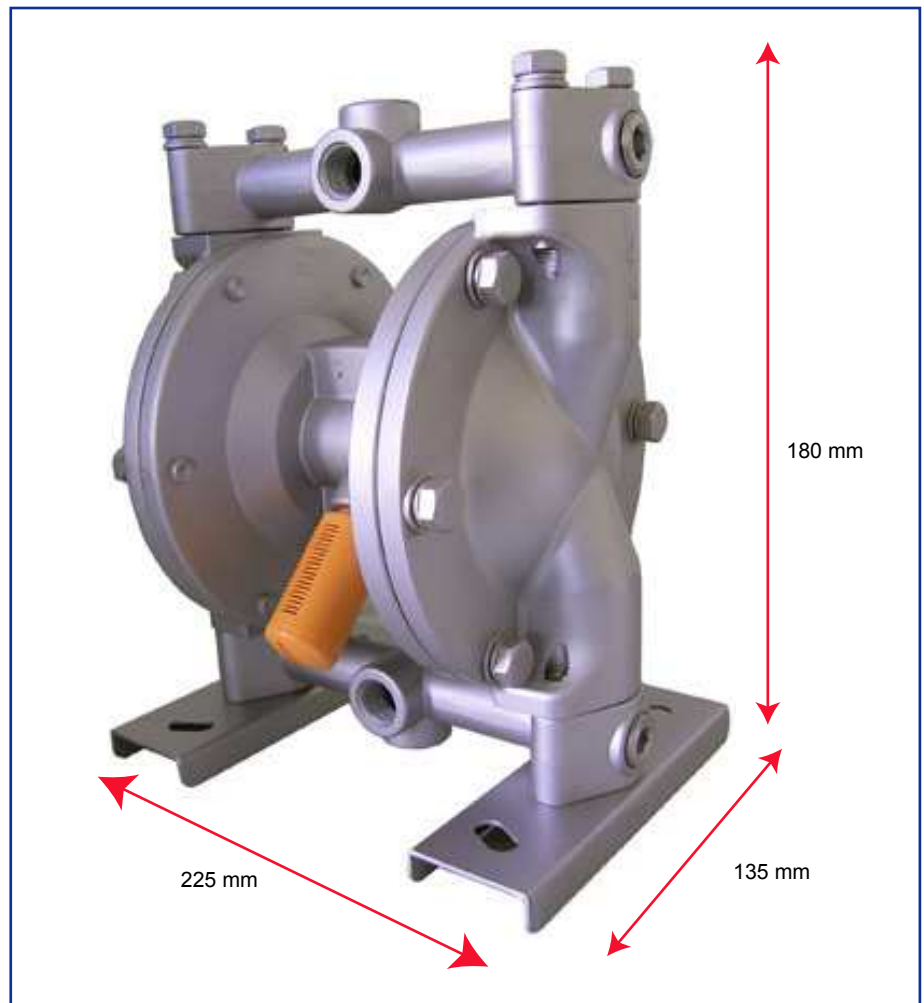
### Application Area

Diaphragm pump for pumping small volumes.  
For neutral liquids such as oils, waters, waste waters.

### Technical Details

Flow rate	: max. 15 l/min
Amount/double stroke	: 52 cm <sup>3</sup> /double stroke
Material housing	: aluminium
Balls and valve seats	: stainless steel
Diaphragms	: PTFE (Teflon)
Connections	: 3/8"
Inlet pressure	: 7 bar max.

### Dimensions



\* Changes and mistakes excepted, prices plus packing and VAT.

## Diaphragm Pumps

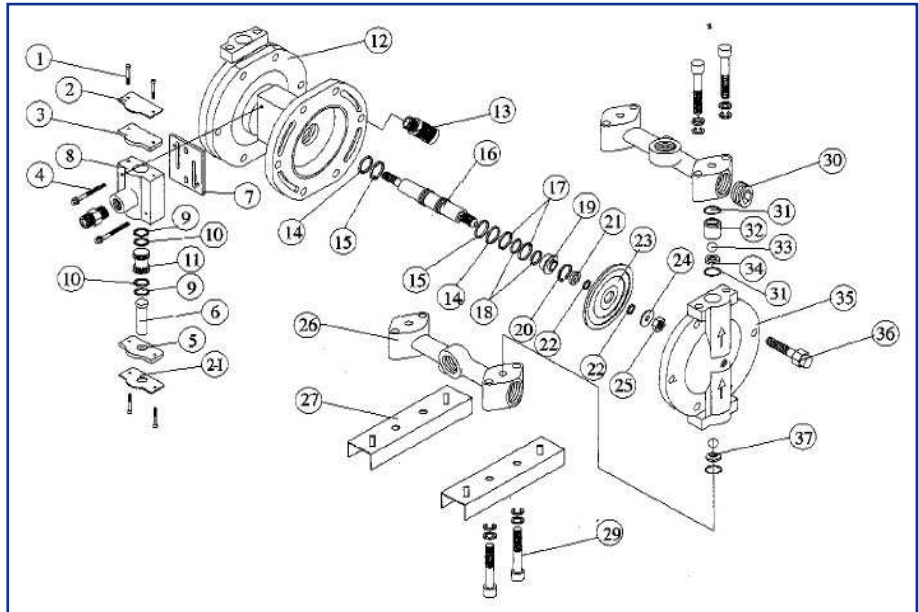
Languages > 

### MBP air driven diaphragm pump



Diaphragm pump MBP  
Item no. 251220201521

#### Spare Parts



1	Screw	19	Busher bronze
2	Gasket - Stainless steel	20	Retainer ring
2-1	Gasket - Stainless steel	21	Plate
3	Gasket rubber	22	O-ring teflon
4	Screw	23	Diaphragm - teflon
5	Gasket - Stainless steel	24	Plate
6	Plunger - Stainless steel	25	Srew - stainless steel
7	Gasket-rubber	26	Manifold
8	Director valve	27	Base rack
9	O-ring rubber		
10	O-ring teflon	29	Screw
11	Piston - polypropylene	30	Plug
12	Pump body	31	O-ring teflon
13	Muffler	32	Ball guid
14	O-ring rubber	33	Ball
15	O-ring teflon	34	Retaining seat
16	Shaft	35	Side cover
17	O-ring	36	Countersink screw
18	O-ring	37	Retaining seat

\* Changes and mistakes excepted, prices plus packing and VAT.