

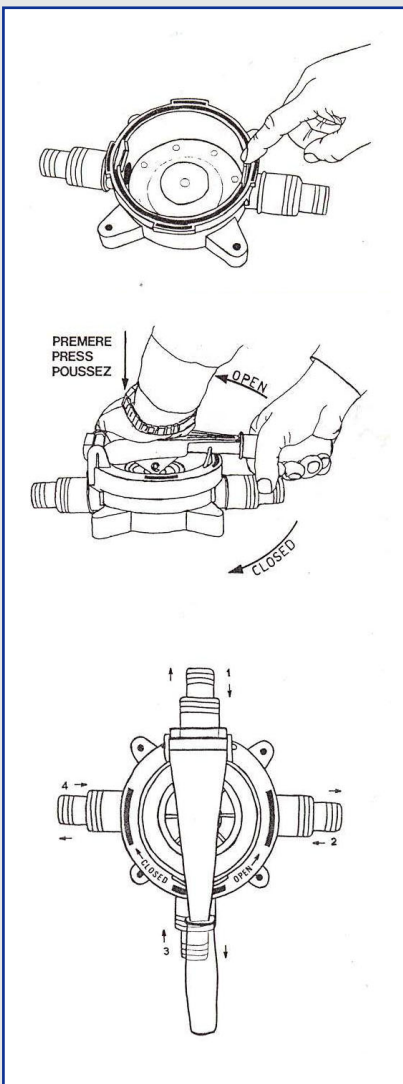
Barrel hand pumps

Languages > 

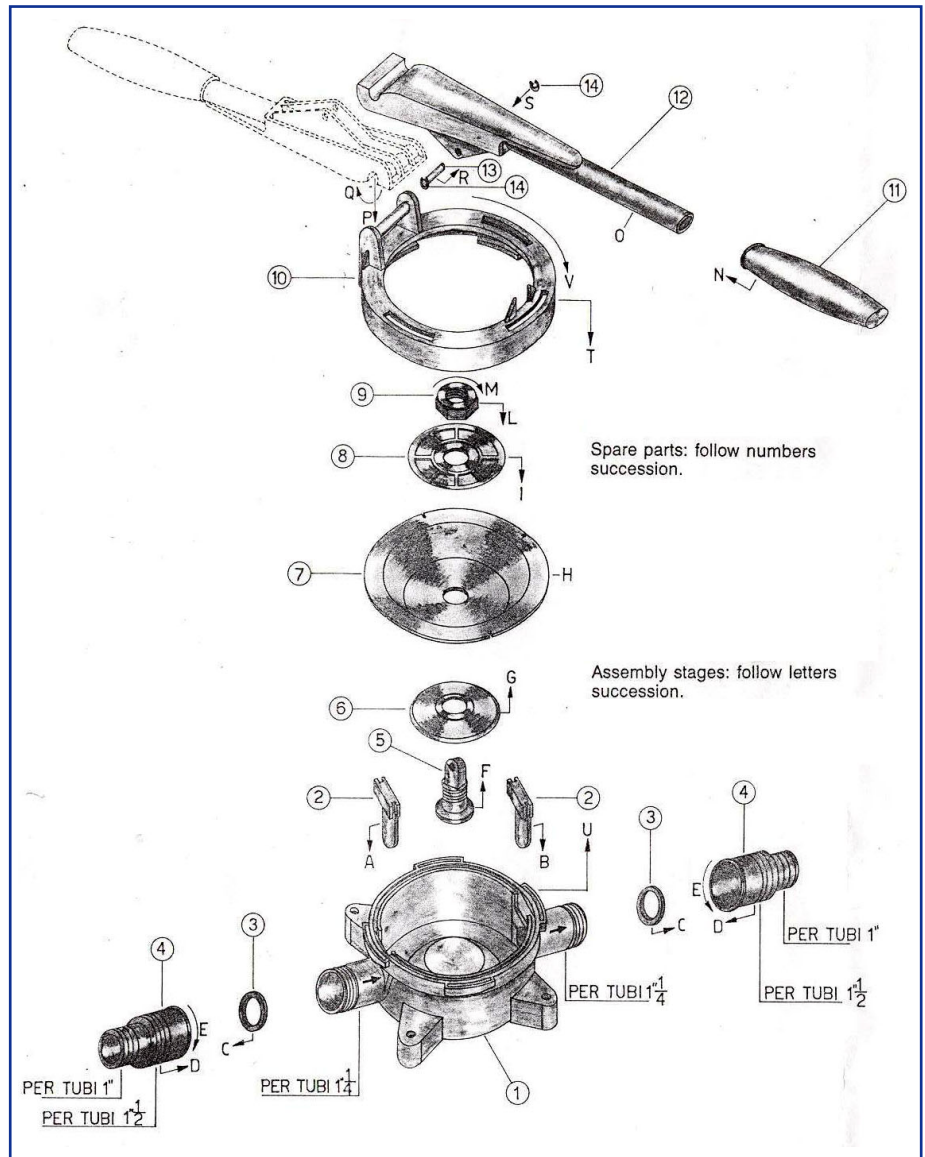
Barrel hand pump unit G.P. MP



G.P. MP
Item no.: 25319000000



Spare parts and manual



Spare parts: follow numbers succession.

Assembly stages: follow letters succession.


It is advisable to oil the upper rim of the pump before replacing the membrane.

Open by pressing and turning right the handle.
Close by pressing and turning left the handle.

The four possible directions of flow.

* Changes and mistakes excepted, prices plus packing and VAT.

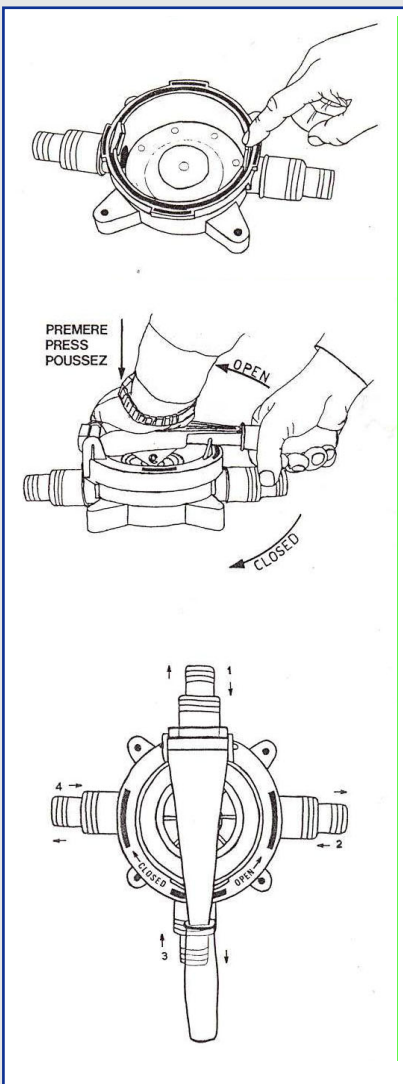
Barrel hand pumps

Languages > 

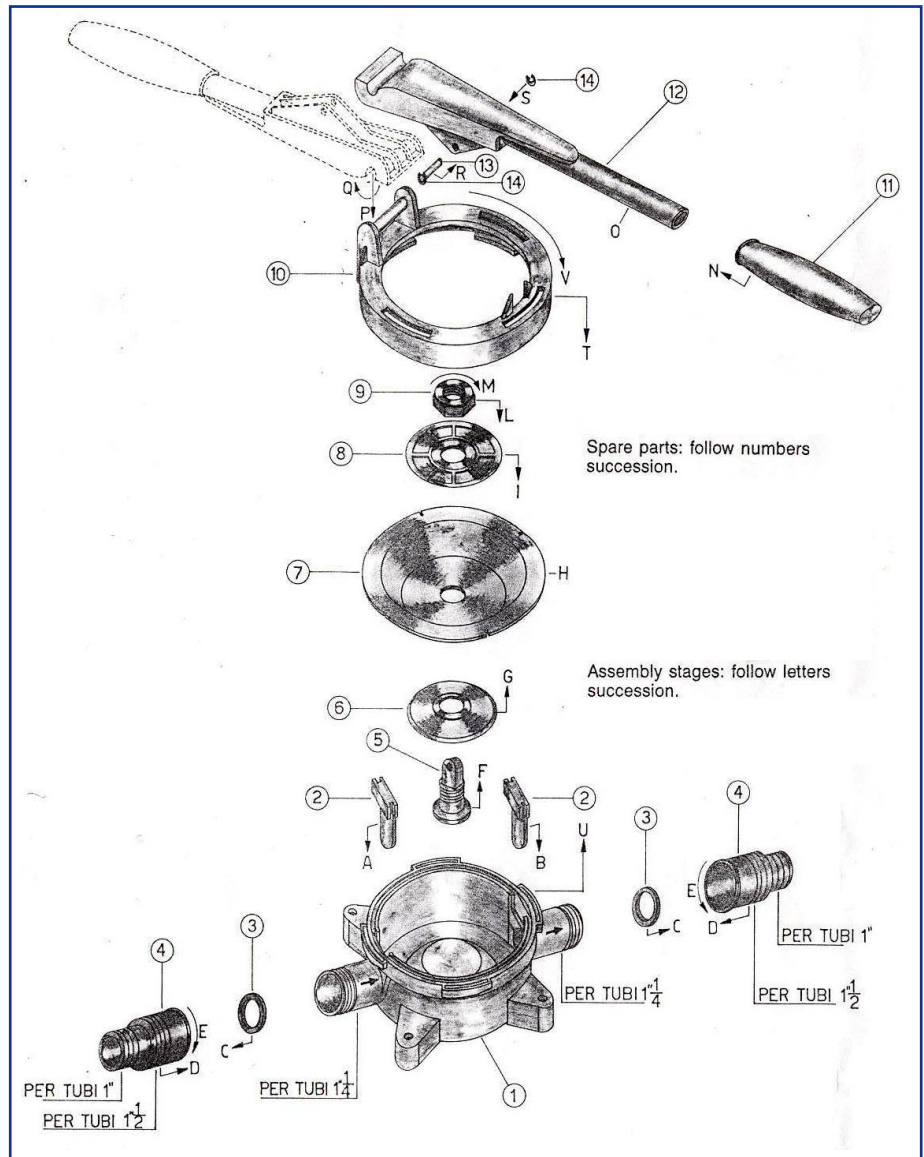
Barrel hand pump unit G.P. MP



G.P. MP
Item-No.: 253190000000



Spare parts and manual



It is advisable to oil the upper rim of the pump before replacing the membrane.

Open by pressing and turning right the handle.
Close by pressing and turning left the handle.

The four possible directions of flow.

* Changes and mistakes excepted, prices plus packing and VAT.