



DOA/DOL SERIES

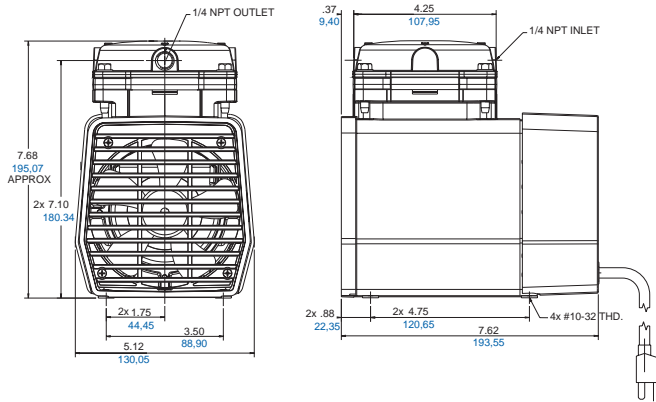
SHADED POLE/PSC 4 POLE
60 PSI max. pressure, 1.1 cfm open flow
25.5" HG Max. vacuum, 1.1 cfm open flow

LOW SPEED DC (BRUSH TYPE)
60 PSI max. pressure, 1.3 cfm open flow
25.5" HG max. vacuum, 1.3 cfm open flow

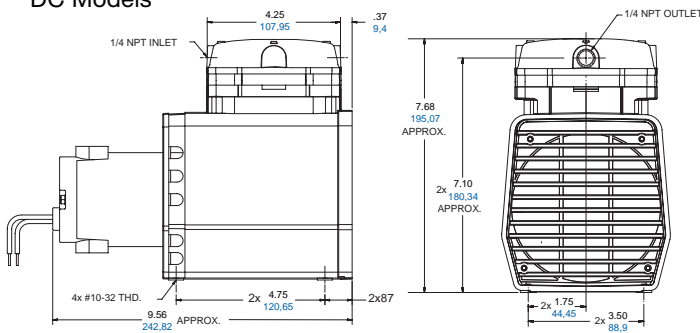
HIGH SPEED DC (BRUSH TYPE)
60 PSI max. pressure, 1.9 cfm open flow
25.5" HG max vacuum, 1.9 cfm open flow

Product Dimensions (in. mm)

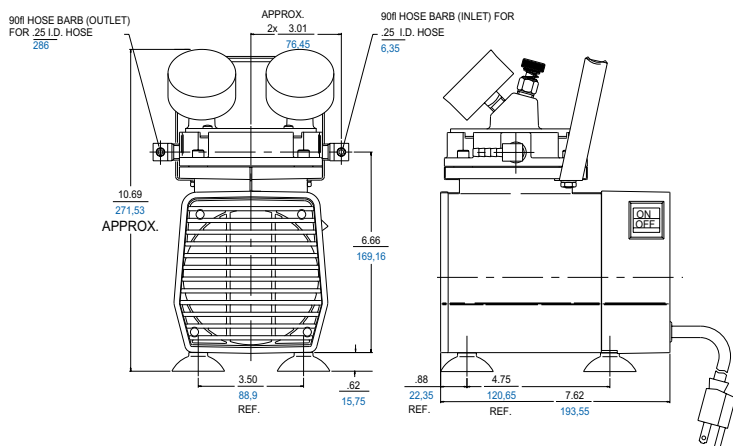
AC Models (PSC and Shaded Pole Motors)



DC Models



Lab Models



PRODUCT FEATURES

- Oilless operation
- Motor mounted
- Rugged construction/low maintenance

INCLUDES

- Muffler AH190A for vacuum
- Capacitor AF873A unattached (DB and DD motors)
- Capacitor AF485 unattached (FB motor)
- Capacitor AF876 unattached (FD motor)
- Lab Models
- Gauges - Vacuum AE136, Pressure AA806
- Hoe barbs - AG613
- Regulators - Vacuum AA550C-V, Pressure AF887
- Carrying handle - AF870
- Rubber feet - AF584A
- DOL Series
- Cord and hospital grade plug
- Carrying handle - AF870
- Mounted on/off switch
- Rubber feet - AF584A

RECOMMENDED ACCESSORIES

- Pressure gauge AF583/Vacuum gauge AA640 (except lab models)
- Pressure relief valve AF887 / Vacuum relief valve AA550C-V (except lab models)
- (4) rubber feet AF584A (except lab and DOL Series)
- Repair Kit K294 (K294K for lab models)

Product Specifications

Note: "P" model are pressure "V" models are vacuum;P704 (lab models) are set up for vacuum or pressure.

| Model Number | Motor | Motor Type Stages for Vacuum Models | RPM | | HP | kW | Net Wt. | |
|----------------|-----------------|--|----------|----------|-----|------|---------|-----|
| | | | 60 Cycle | 50 Cycle | | | lbs. | kg |
| *DOA-P701-AA | 115-60-1 | Shaded pole | 1575 | ---- | 1/8 | 0,09 | 14.5 | 6,6 |
| DOA-P704-AA | 115-60-1 | Shaded pole | 1575 | ---- | 1/8 | 0,09 | 16 | 7,3 |
| DOA-P504-BN | 220/240-50-1 | Shaded pole | ---- | 1275 | 1/8 | 0,09 | 16 | 7,3 |
| **DOA-P703-AA | 115-60-1 | Shaded pole | 1575 | ---- | 1/8 | 0,09 | 16 | 6,6 |
| *DOA-P701-AC | 230-60-1 | Shaded pole | 1575 | ---- | 1/8 | 0,09 | 14.5 | 6,6 |
| ***DOA-P501-BN | 220/240-50-1 | Shaded pole | ---- | 1275 | 1/8 | 0,09 | 14.5 | 6,6 |
| ++DOA-P509-BN | 220/240-50-1 | Shaded pole | ---- | 1275 | 1/8 | 0,09 | 16 | 7,3 |
| DOA-P501-DB | 115/110-60/50-1 | PSC (4 pole) | 1575 | 1275 | 1/8 | 0,09 | 14.5 | 6,6 |
| DOA-P501-DD | 230/220-60/50-1 | PSC (4 pole) | 1575 | 1275 | 1/8 | 0,09 | 14.5 | 6,6 |
| DOA-P501-FB | 115/110-60/50-1 | PSC (2 pole) | 3000 | 2500 | 1/3 | 0,25 | 14.5 | 6,6 |
| ###DOA-P703-FB | 115/110-60/50-1 | PSC (2 pole) | 3000 | 2500 | 1/3 | 0,25 | 14.5 | 6,6 |
| DOA-P501-FD | 220/230-50/60-1 | PSC (2 pole) | 3000 | 2500 | 1/3 | 0,25 | 14.5 | 6,6 |
| ##DOA-P518-FD | 220/230-50/60-1 | PSC (2 pole) | 3000 | 2500 | 1/3 | 0,25 | 14.5 | 6,6 |
| DOA-P501-JH | 12 Volt | DC | 2100 | | 1/8 | 0,09 | 13.0 | 5,9 |
| DOA-P501-KH | 12 Volt | DC | 3200 | | 1/6 | 0,12 | 13.0 | 5,9 |
| DOA-P501-JK | 24 Volt | DC | 2100 | | 1/8 | 0,09 | 13.0 | 5,9 |
| *DOA-V722-AA | 115-60-1 | Shaded pole | 1575 | ---- | 1/8 | 0,09 | 14.5 | 6,6 |
| *DOA-V702-AC | 230-60-1 | Shaded pole | 1575 | ---- | 1/8 | 0,09 | 14.5 | 6,6 |
| ***DOA-V502-BN | 220/240-50-1 | Shaded pole | ---- | 1275 | 1/8 | 0,09 | 14.5 | 6,6 |
| DOA-V502-DB | 115/110-60/50-1 | PSC (4 pole) | 1575 | 1275 | 1/8 | 0,09 | 14.5 | 6,6 |
| DOA-V502-DD | 230/220-60/50-1 | PSC (4 pole) | 1575 | 1275 | 1/8 | 0,09 | 14.5 | 6,6 |
| DOA-V502A-FB | 110/115-50/60-1 | PSC (2 pole) | 3000 | 2500 | 1/3 | 0,25 | 14.5 | 6,6 |
| DOA-V502A-FD | 220/230-50/60-1 | PSC (2 pole) | 3000 | 2500 | 1/3 | 0,25 | 14.5 | 6,6 |
| DOA-V502-JH | 12 Volt | DC | 2100 | | 1/8 | 0,09 | 13.0 | 5,9 |
| DOA-V502-JK | 24 Volt | DC | 2100 | | 1/8 | 0,09 | 13.0 | 5,9 |
| ####DOL-701-AA | 115-60-1 | Shaded pole | 1575 | ---- | 1/8 | 0,09 | 14.8 | 6,7 |

*Includes cord and plug

**Unloader model, includes cord and plug (no rubber feet or handle).

***Includes cord no plug.

+Unloader model, includes cord (no plug) intake filter, pressure regulator, handle and rubber feet.

++VDE Listed model.

Capacitor mounted in mini-box (add 1.54 (39,1) to width) pigtail wires (European color-coded), no plug.

Capacitor mounted in mini-box (add 1.54 (39,1) to width), two meter cord (European color-coded), no plug.

#Capacitor mounted in mini-box (add 1.54 (39,1) to width), cord and plug.

Medical/Dental units - mounted switch, rubber feet, handle, cord and hospital grade plug.

Product Performance

